

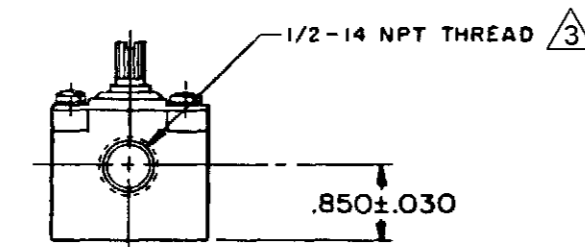
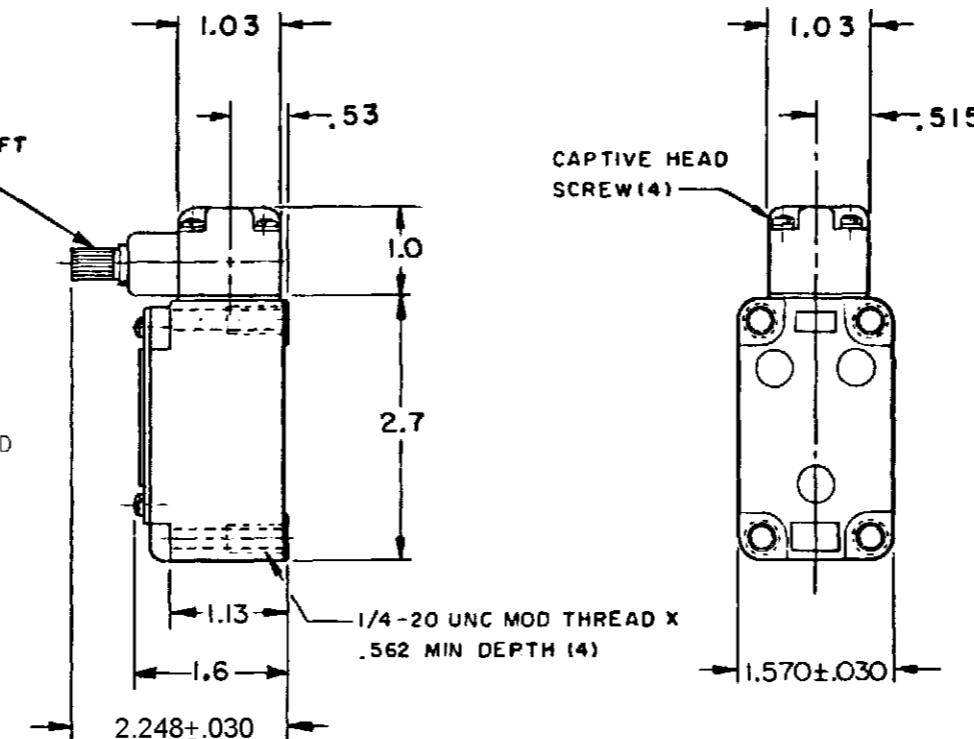
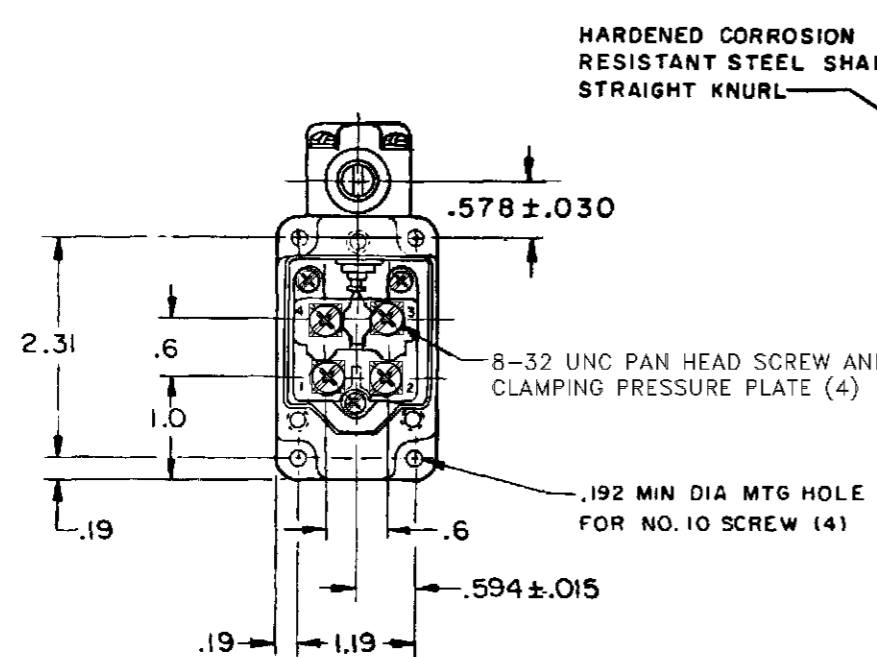
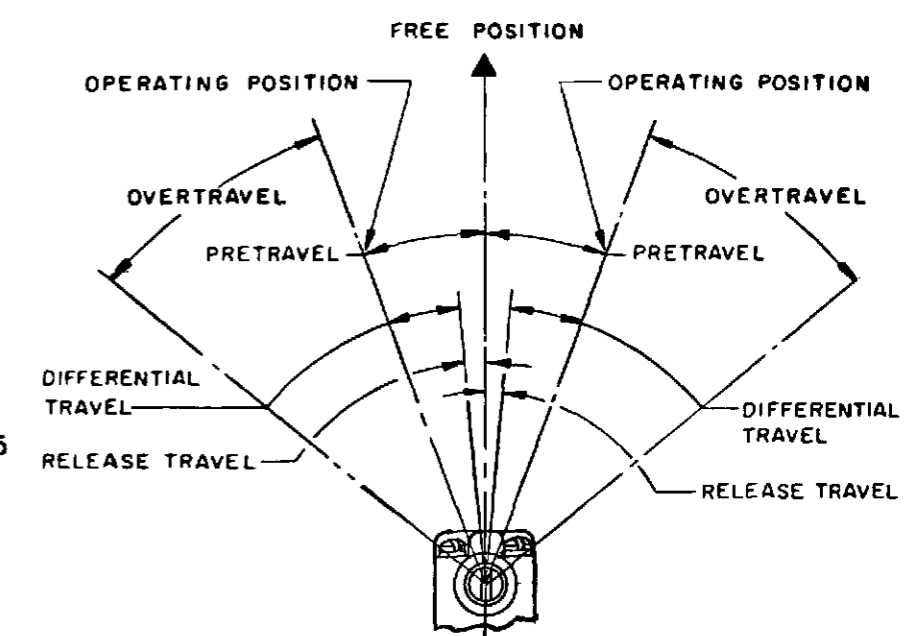
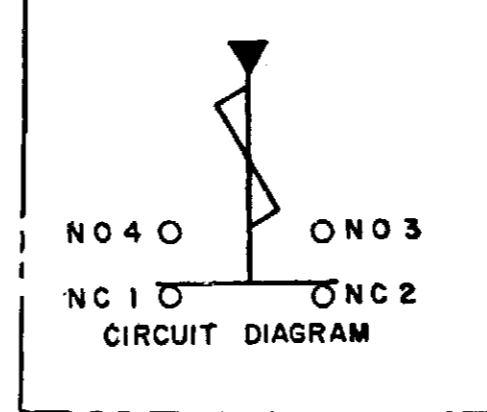
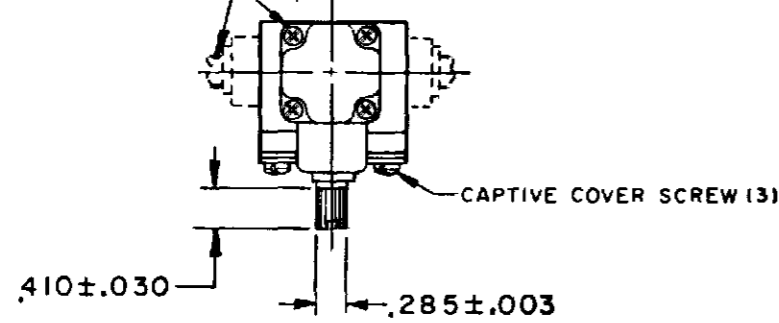
MICRO SWITCH
a Honeywell Division

SWITCH-ENCLOSED

CATALOG LISTING
1LS2-L

FED. MFG. CODE 91929

OPERATING HEAD MOUNTS
IN ANY OF FOUR
POSITIONS



CATALOG LISTING
 1LS2-L
 PAGE 1 OF 1
 RELEASE NO. PR-2018
 REPLACES
 CHECK
 REVISIONS
 A CO-76997
 GJW 22 MAR 95
 B 202823
 CS1 10 APR 01
 CHECK
 5 MAY 95
 JAF
 CHECK
 22 MAR 95
 GJW
 DRAWN
 RASTER

THIS DRAWING COVERS A PROPRIETARY ITEM AND IS THE PROPERTY OF MICRO SWITCH, A DIVISION OF HONEYWELL. THIS DRAWING IS NOT TO BE COPIED OR USED WITHOUT THE APPROVAL OF MICRO SWITCH

THIRD ANGLE PROJECTION

CHARACTERISTICS
OPERATING TORQUE — 4 1/2 IN LB MAX
FULL OVERTRAVEL TORQUE — 6 IN LB MAX
RELEASE TORQUE — — — 3/4 IN LB MIN
PRETRAVEL — — — — — 20° MAX
DIFFERENTIAL TRAVEL — — — 12° MAX
OVERTRAVEL — — — — — 30° MIN
RELEASE TRAVEL — — — — — 5° MIN
SWITCH-BASIC REPLACEMENT — — — 2MNI-L

ELECTRICAL DATA
CONTACT ARRANGEMENT (SEE CIRCUIT DIAGRAM)
L126 10A 125, 250 OR 480 VAC
1/3HP 125 VAC, 3/4HP 250 VAC
0.8A 125 VDC, 0.4A 250 VDC

SCALE	1/2 TO 1
DO NOT SCALE PRINT	
UNLESS OTHERWISE SPECIFIED TOLERANCES ARE	
ONE PLACE (.0) ±.030	
TWO PLACE (.00) ±.015	
THREE PLACE (.000) ±.005	
ANGLES ±	
WEIGHT	

- NOTES**
- SWITCH IS ASSEMBLED FOR ACTUATION IN EITHER DIRECTION BUT MAY BE ADJUSTED TO ACTUATE THE SWITCH IN THE CLOCKWISE DIRECTION ONLY. THE COUNTERCLOCKWISE DIRECTION ONLY, OR IN BOTH DIRECTIONS
 - TO CONVERT SWITCH FOR ACTUATION IN EITHER THE CLOCKWISE OR COUNTERCLOCKWISE DIRECTION ONLY, REMOVE ACTUATOR HEAD AND ROTATE THE NOTCHED PLUNGER 90° TO THE RIGHT FOR CLOCKWISE ACTUATION OR 90° TO THE LEFT FOR COUNTERCLOCKWISE ACTUATION
- ⚠ SEAL TO BE FURNISHED BY USER

